



Item No. _____

359

Thick Shake Freezer

Features

Serve a wide variety of frozen desserts, like thick shakes and smoothies, with the assurance of safe temperatures for dairy products. Direct draw two flavors, or blend in flavorings for more variety.

Freezing Cylinder

Two, 7 quart (6.6 liter).

Refrigerated Mix Hopper

Two, 20 quart (18.9 liter). Refrigerated to maintain mix temperature below 41°F (5°C).

Indicator Lights

If the freezer is out of mix, the Mix Out light will come on, and the freezer shuts down automatically to prevent damage. Less than one pint (.5 liter) is left in the hopper when the mix out system is activated.

Solid State Controls

Thermistor control precisely monitors temperature and maintains consistent quality in product texture through solid state technology.

Thumb Grip Draw Handle

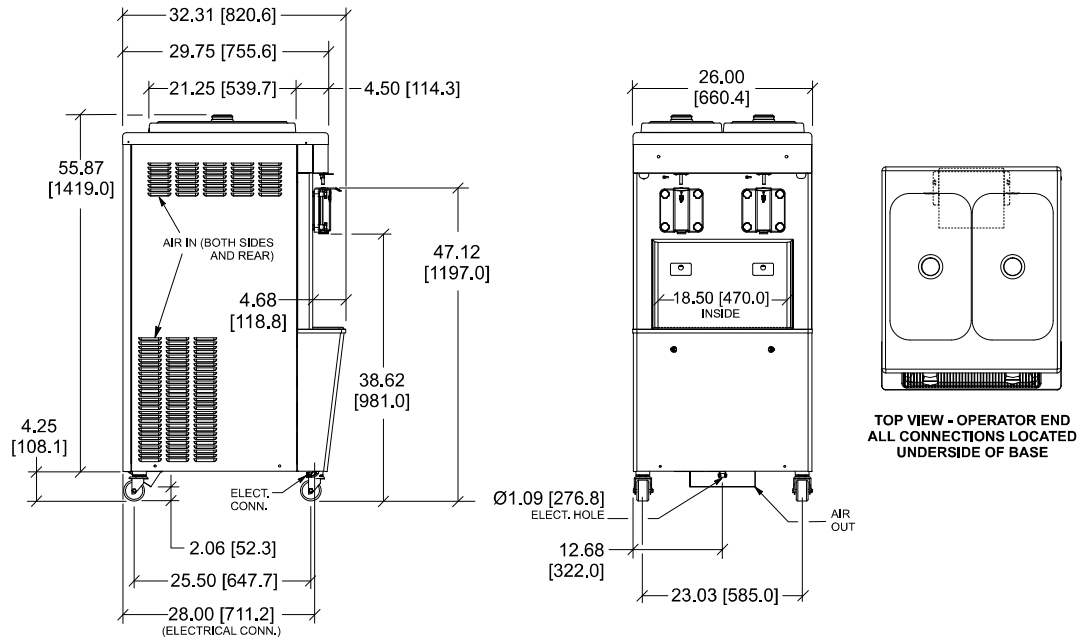
Draw handle makes dispensing of product easy by squeezing two levers together.

Fast Ejection

Beater design ejects product quickly to serve customers faster. Dispense a 16 fl. oz. (473 ml) serving in approximately 3 seconds.

Plastic Hopper Cover

Durable, plastic hopper cover maintains its shape through years of use.



FIGURES IN BRACKETS INDICATE MILLIMETERS / DECIMAL AND FRACTIONAL DIMENSIONS EQUAL TO (PLUS OR MINUS 1/16 INCH [1.5mm]).

| Weights | lbs. | kgs. |
|-----------------|---------|--------|
| Net | 580 | 263.1 |
| Crated | 673 | 305.3 |
| Volume | cu. ft. | cu. m. |
| | 44.3 | 1.26 |
| Dimensions | in. | mm. |
| Width | 26 | 660 |
| Depth | 32-3/8 | 822 |
| Height | 55-7/8 | 1418 |
| Floor Clearance | 4-1/4 | 108 |

*Mounted on standard casters

| Electrical | Maximum Fuse Size | Minimum Circuit Ampacity | Poles (P) Wires (W) |
|------------------|-------------------|--------------------------|---------------------|
| 208-230/60/3 Air | 35 | 30 | 3P 4W |
| 220-240/50/3 Air | 25 | 22 | 3P 4W |
| 200/50/3 Water | 35 | 30 | 3P 4W |
| 380-415/50/3 Air | 15 | 16 | 4P 5W |

Specifications

Electrical

One dedicated electrical connection is required. See the Electrical chart for the proper electrical requirements. Manufactured to be permanently connected. Consult your local Taylor distributor for cord & receptacle specifications as local codes allow.

Beater Motor

Two, 1.5 HP.

Refrigeration System

Two, approximately 9,500 BTU/hr. R404A.
BTUs may vary depending on compressor used.)

Air Cooled

Minimum Clearance: 3" (76 mm) around all sides. Minimum air clearances must be met to assure adequate air flow for optimum performance.

Options

- Bumper Kit

This unit may be manufactured in other electrical characteristics and may have additional regulatory agency approvals. Consult the local Taylor Distributor for other electrical characteristics and agency approvals based on specific electrical and country requirements.

(For exact electrical information and approval marks, always refer to the data label of the unit.)

Continuing research results in steady improvements; therefore, these specifications are subject to change without notice.

Bidding Specs

Electrical: Volt _____ Hz _____ ph _____
Neutral: Yes No Cooling: Air Water NA

Options: _____

Authorized Taylor Distributor



750 N. Blackhawk Blvd.
Rockton, Illinois 61072
www.taylor-company.com